

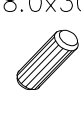



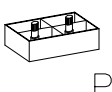
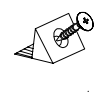
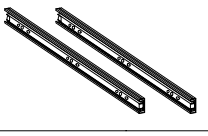


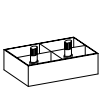
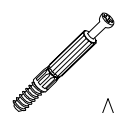
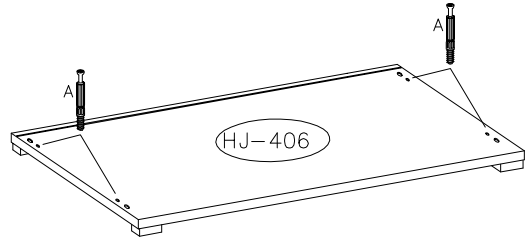
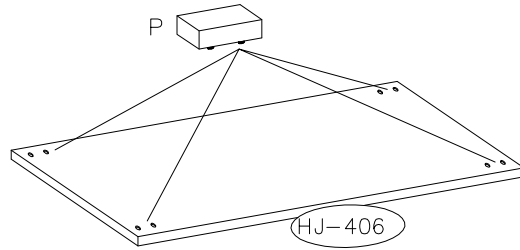
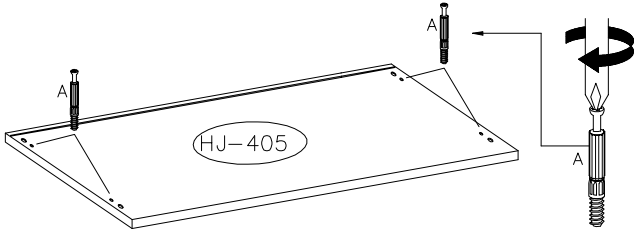
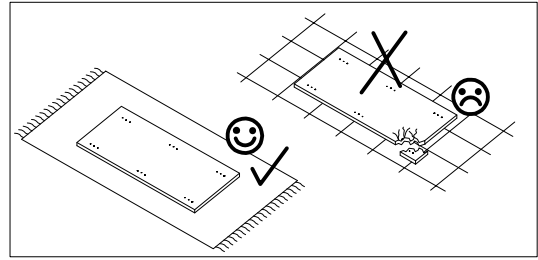
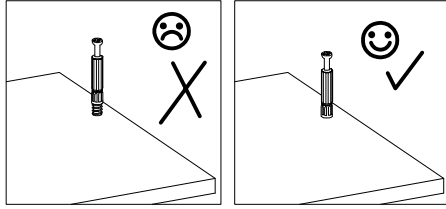

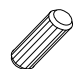
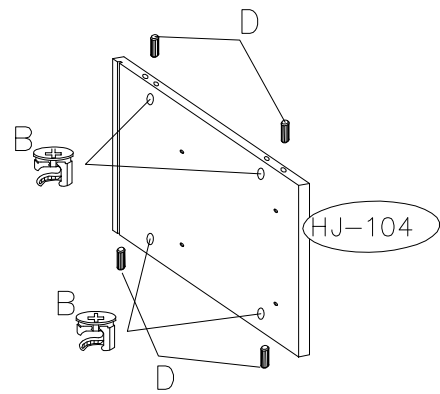
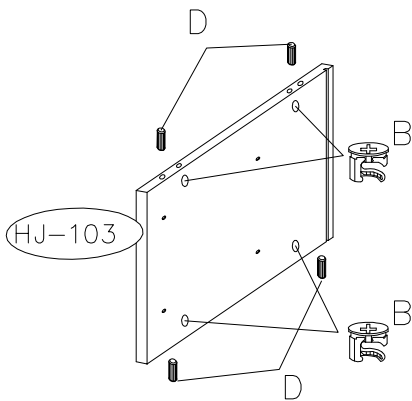
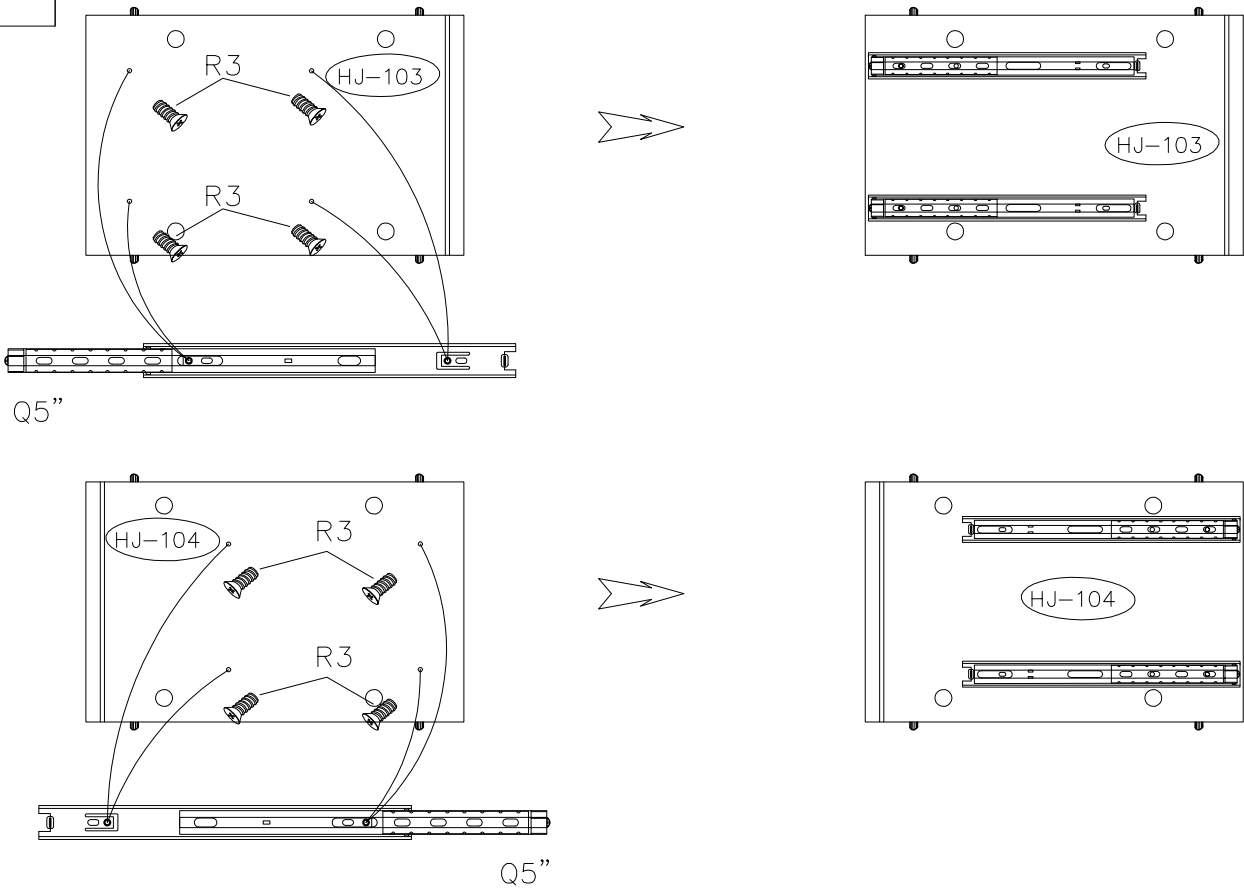
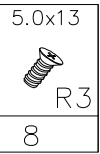
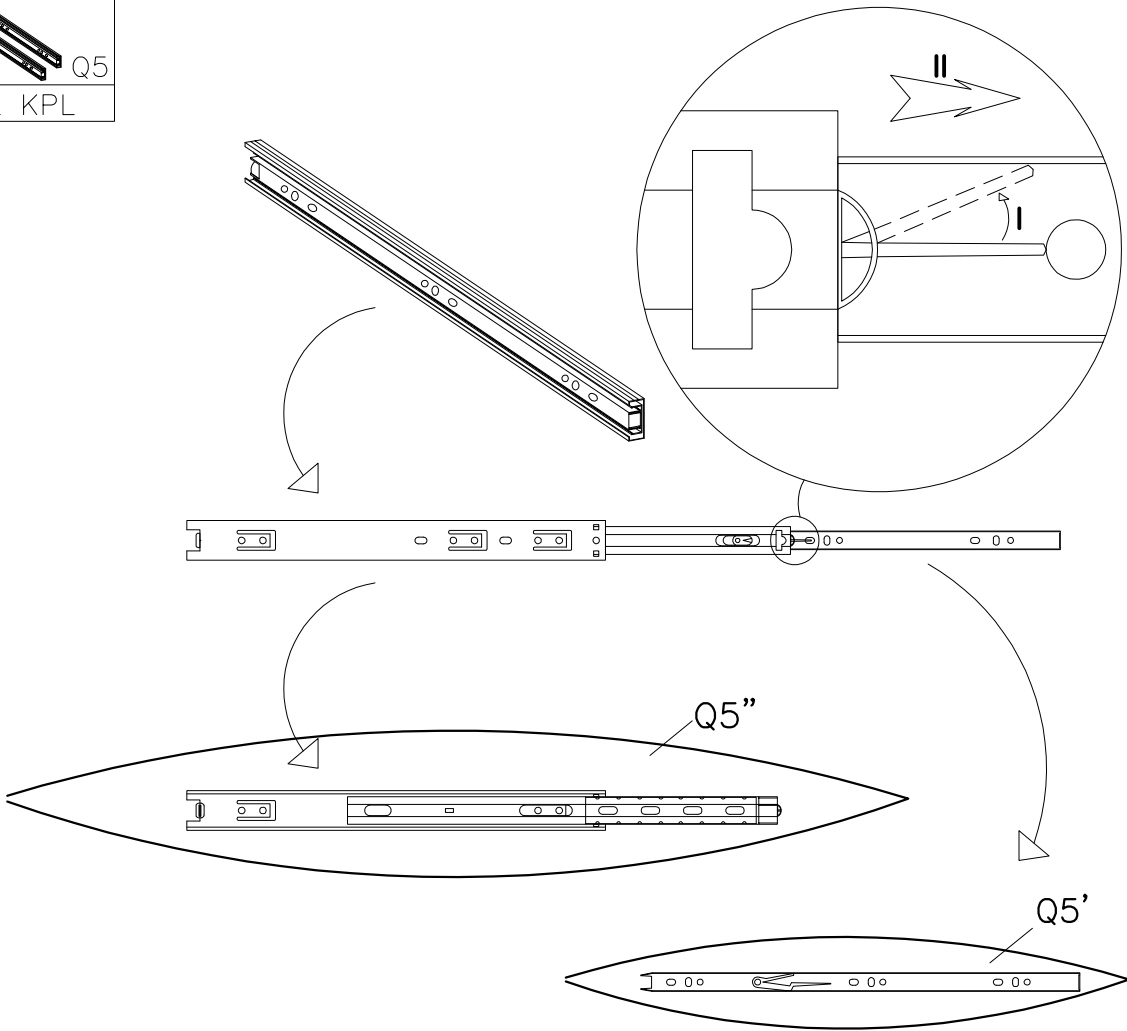
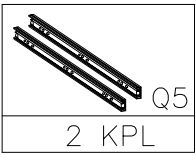
 A	 B	 I	 D	 W	 W2	 R3
8	8	1	16	8	12	8
 P	 J	 Q5		 N	 F2	
4	4	2 KPL		8	1	

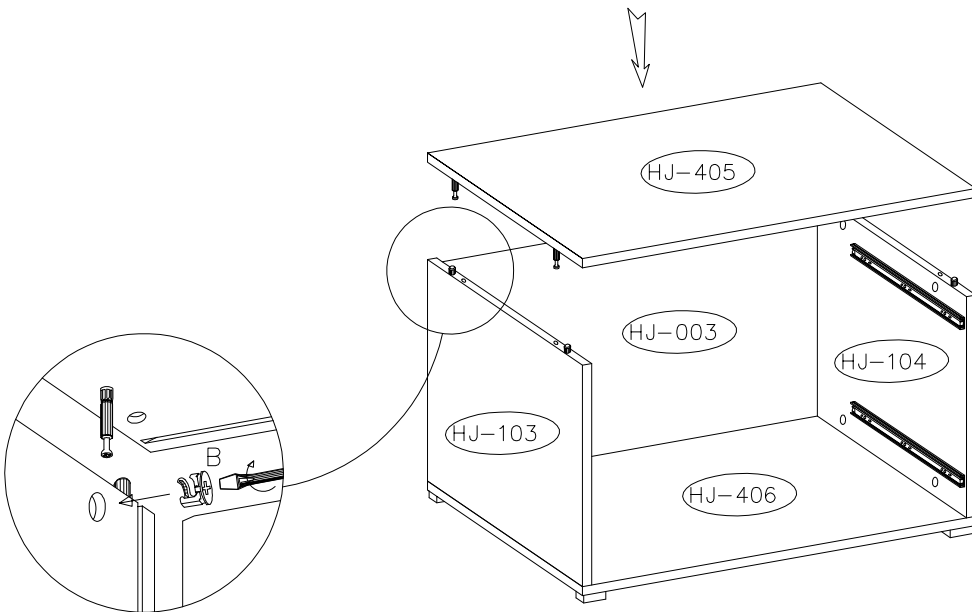
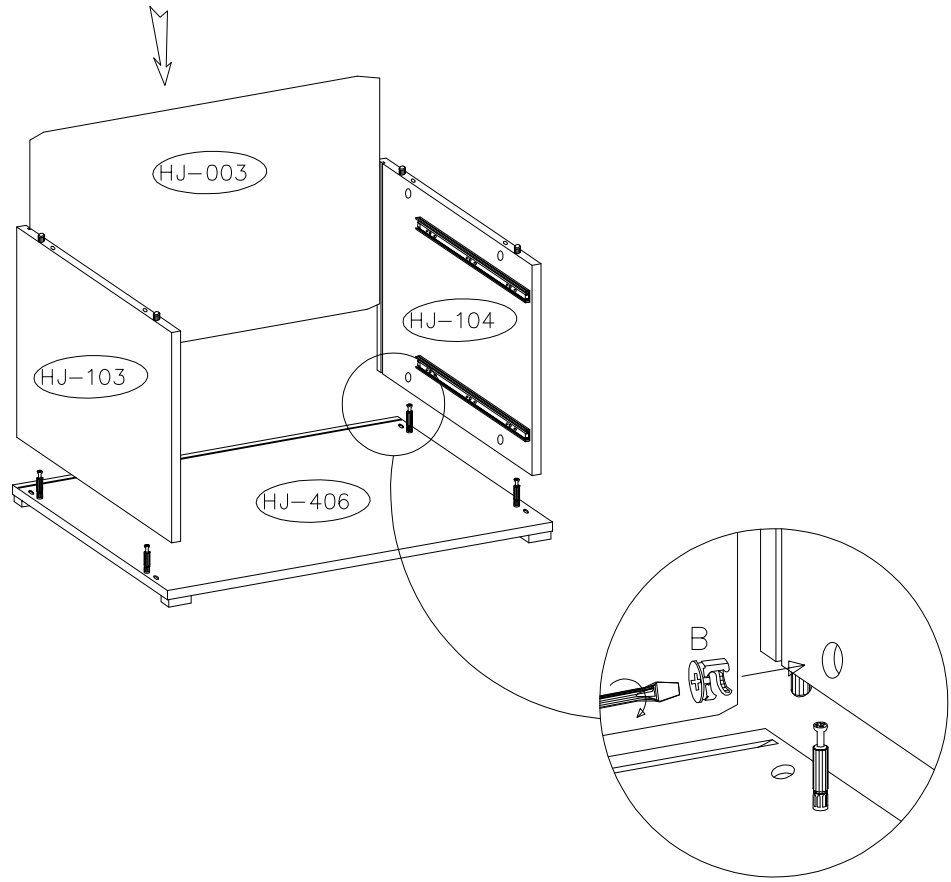
 P	 A
4	8

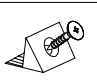


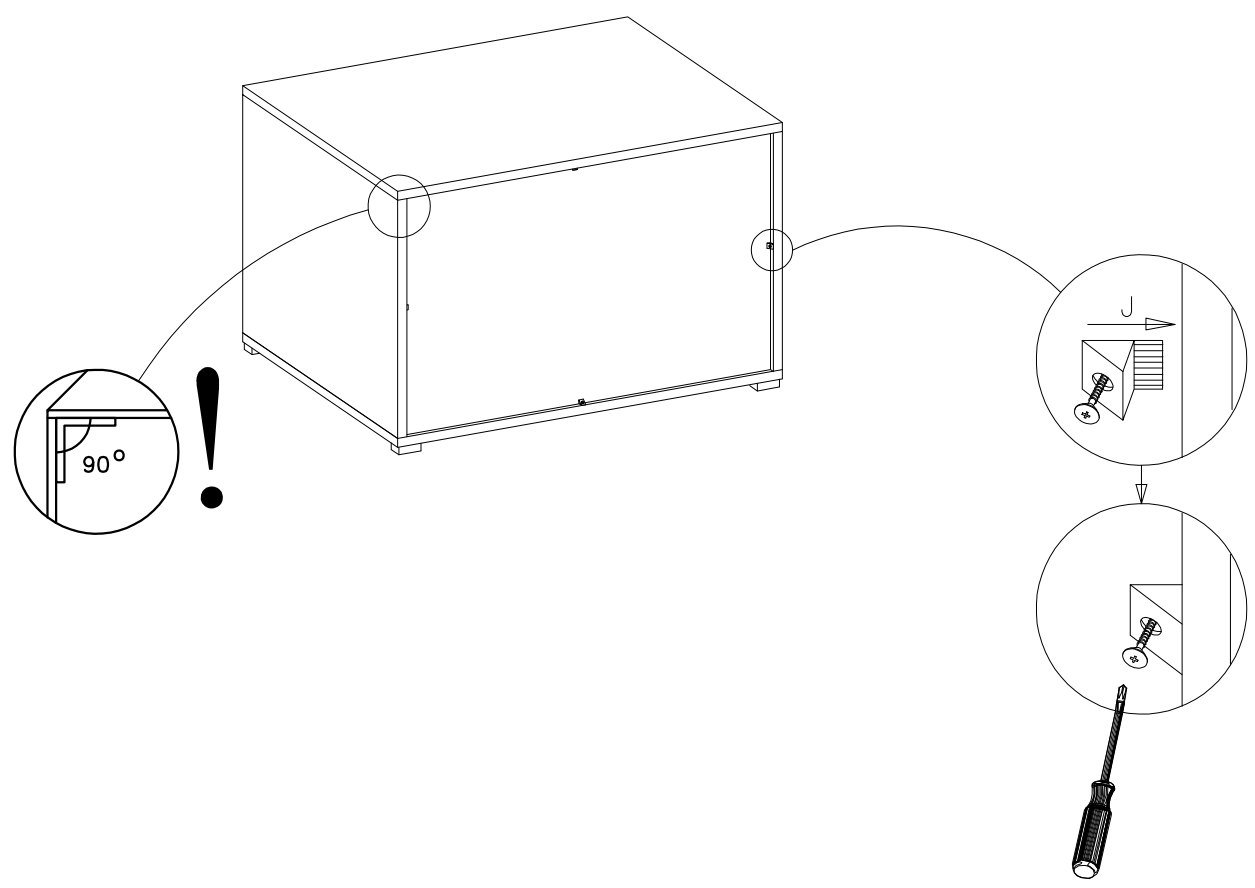
 B	8.0x30  D
8	8




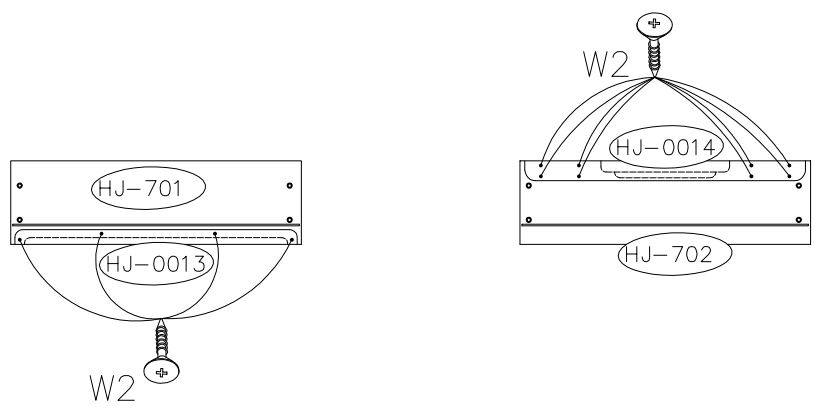




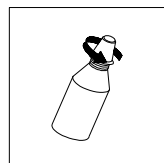

J
4



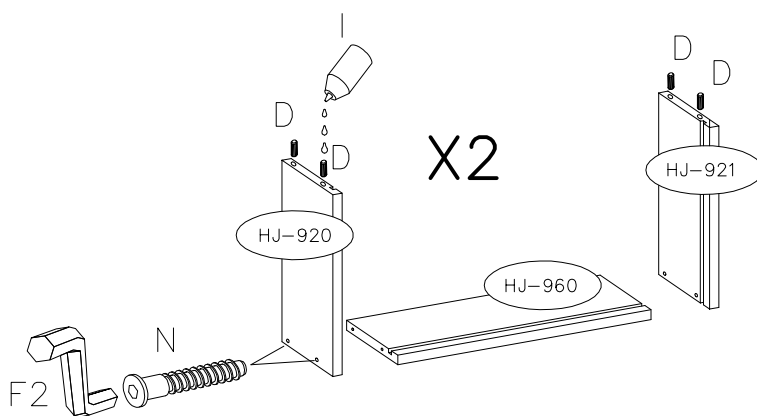
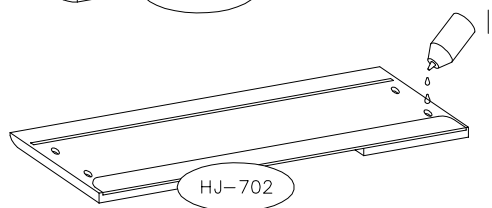
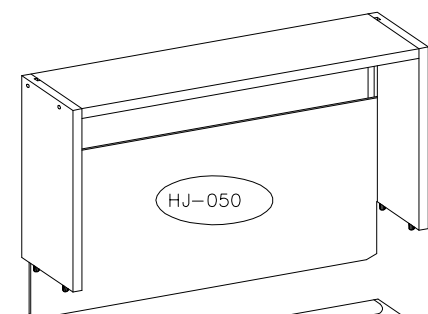
3.0x13

W2
12



8.0x30 D 8	5.0X50 N 8	I 1	3.0mm F2 1
------------------	------------------	--------	------------------

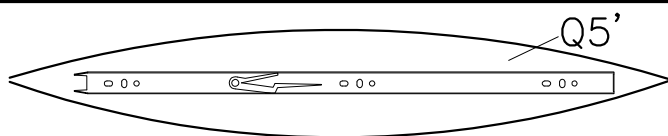


9



X2

3.5x13 W 8
------------------



10

X2

